

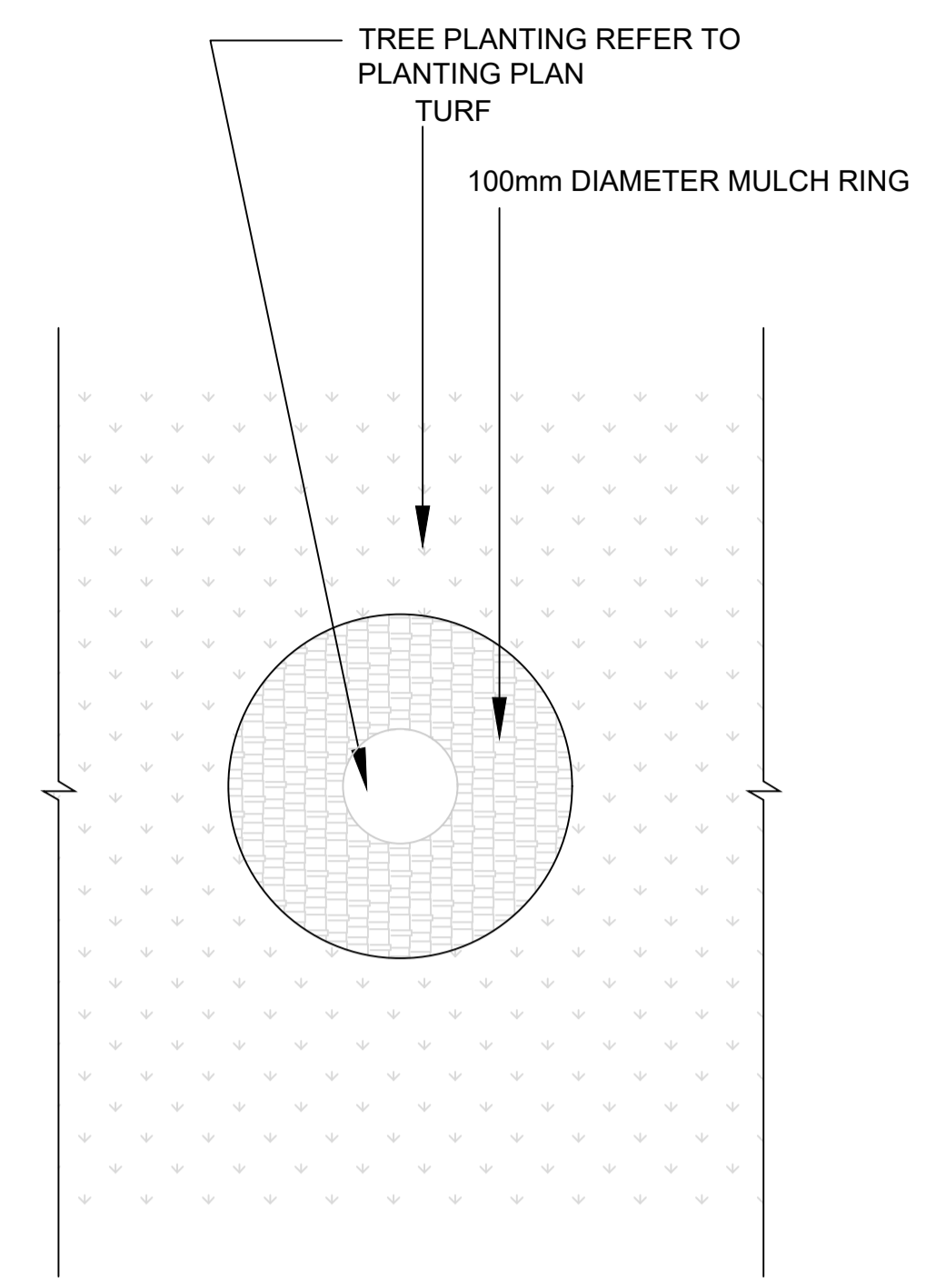
NOTE
 ALL DIMENSIONS TO BE CHECKED ON SITE
 NO DIMENSIONS TO BE SCALED FROM THIS DRAWING
 THIS DRAWING IS TO BE READ IN CONJUNCTION WITH
 RELEVANT CONSULTANTS DRAWINGS
 NO PART OF THIS DOCUMENT MAY BE REPRODUCED OR
 TRANSMITTED IN ANY FORM OR STORED IN ANY RETRIEVAL
 SYSTEM OF ANY NATURE WITHOUT THE WRITTEN PERMISSION
 OF THE LANDSCAPE ARCHITECT AS COPYRIGHT HOLDER EXCEPT
 AS AGREED FOR USE ON THE PROJECT FOR WHICH THE
 DOCUMENT WAS ORIGINALLY ISSUED.
 FOR DRAWING INDEX, GENERAL NOTES, REFER TO
 DWG L1-001

CLIENT:



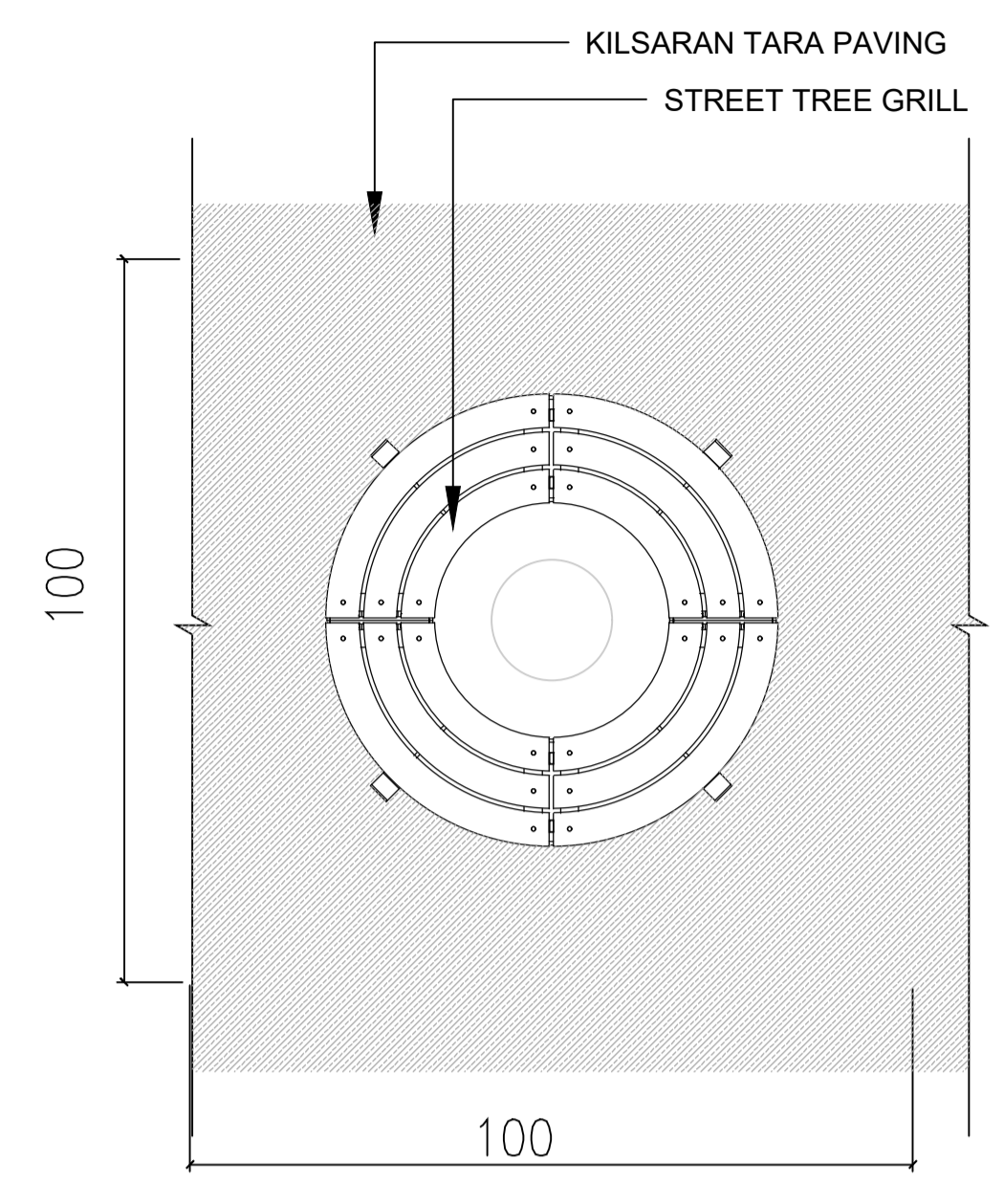
ARCHITECTS:

HENRY J LYONS ARCHITECTS

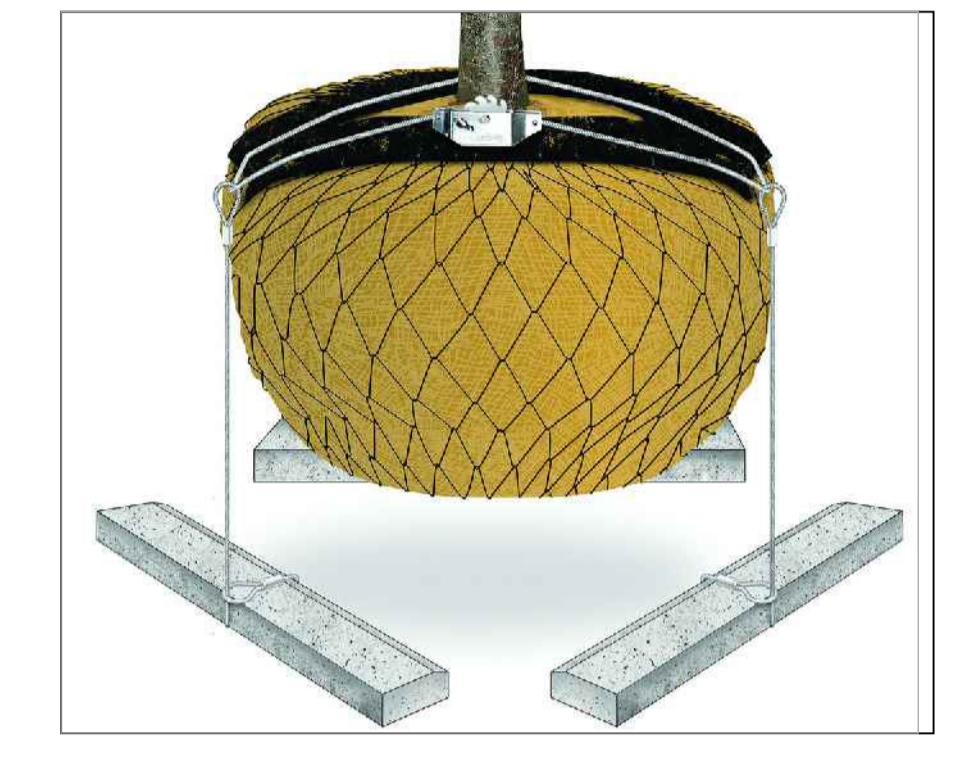


01 TYPICAL TREE PIT PAVING
 SCALE: 1:20 @A1

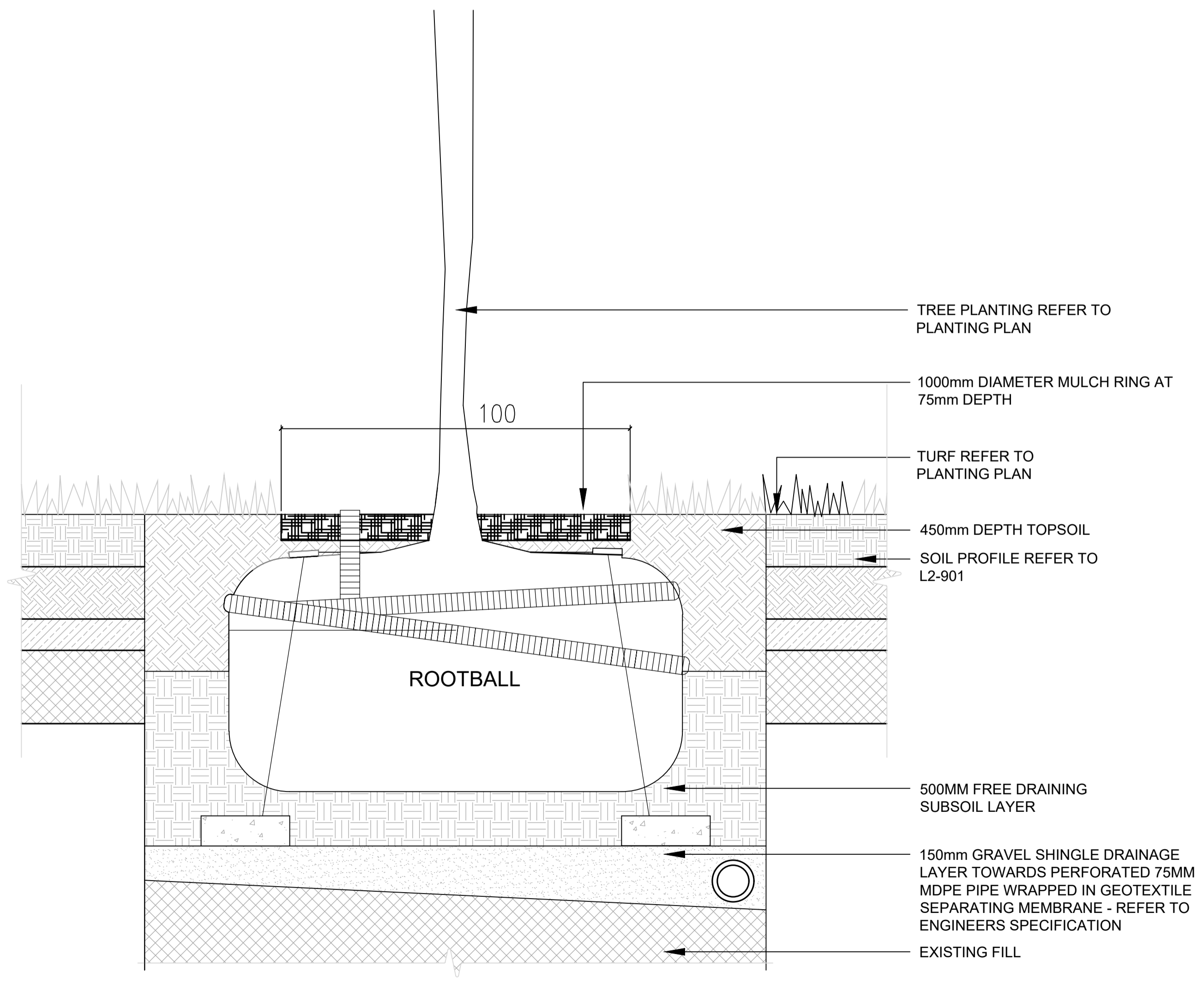
02 IMAGE: LAWN TREE PIT AND MULCH



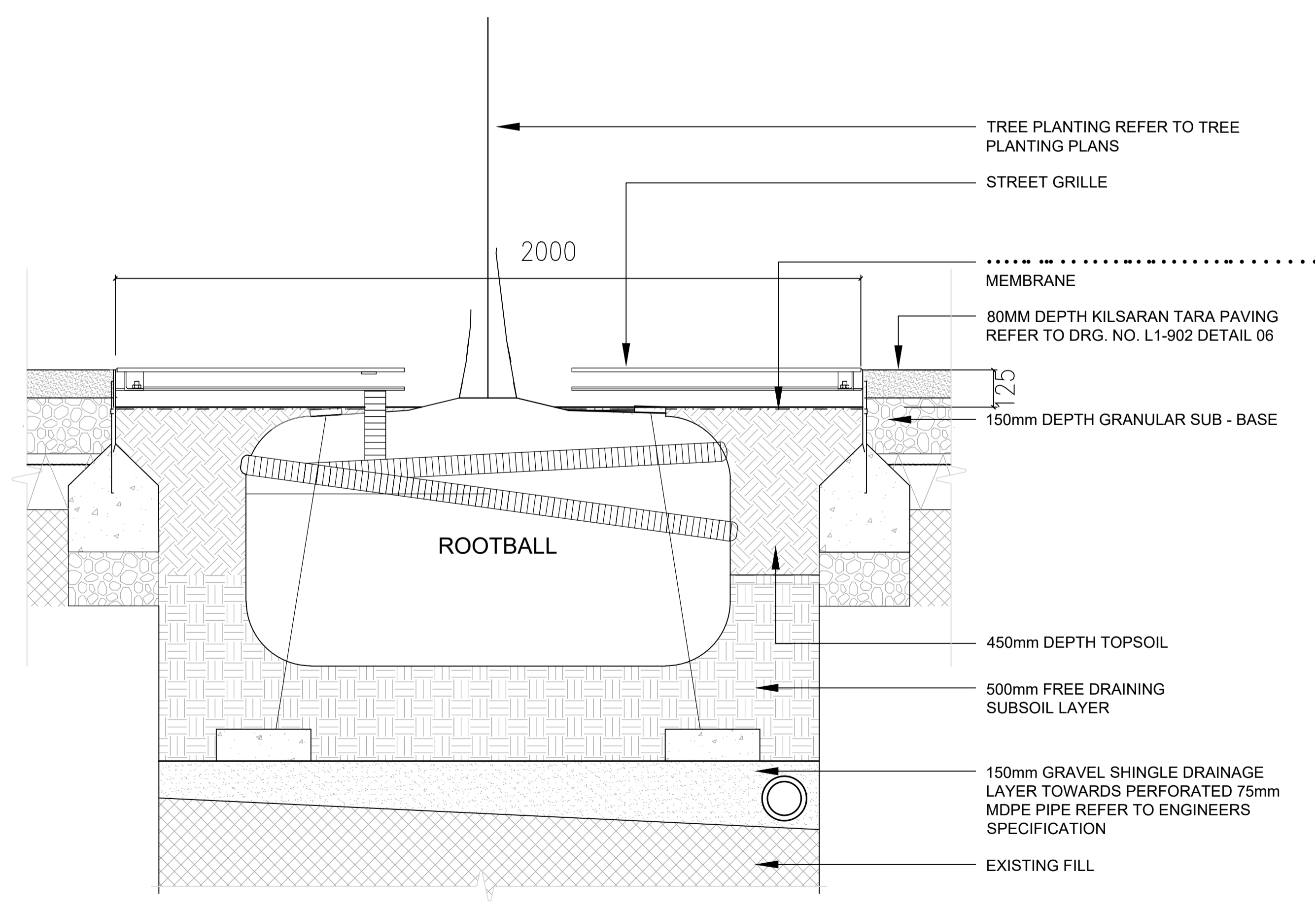
03 TYPICAL TREE PIT IN BOUND GRAVEL
 SCALE: 1:20 @A1



04 IMAGE: TREE ANCHOR SYSTEM



05 TYPICAL TREE DETAIL IN LAWN
 SCALE: 1:10 @A1



06 TYPICAL TREE PIT IN PAVING DETAIL
 SCALE: 1:10 @A1

REVISIONS

Job No.	98Z9a	Drawn By	MM
Dwg No.	Aa2P 5	Checked By	JM
Scale	@A1	Date	JULY 2019

JOB DESCRIPTION

Site	CITY BLOCK 2 SPENCER PLACE NORTH
Project	SPENCER PLACE NORTH DEVELOPMENT
Title	TREE PIT DETAILS